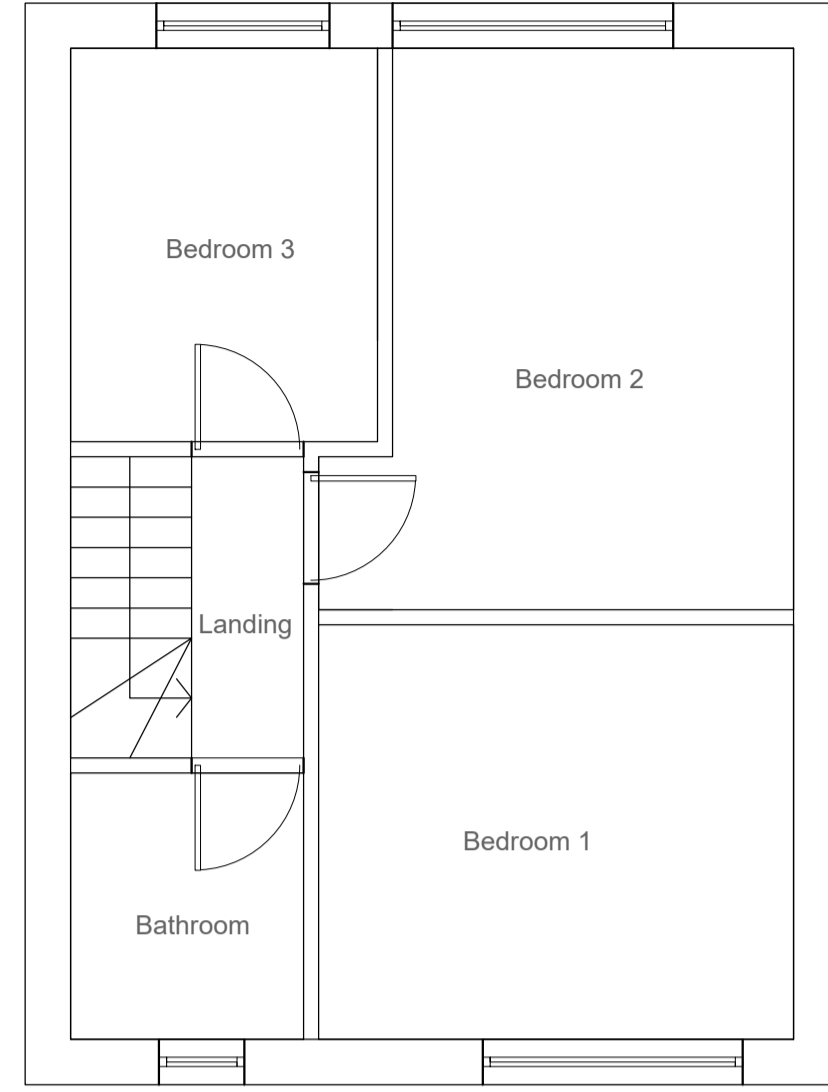
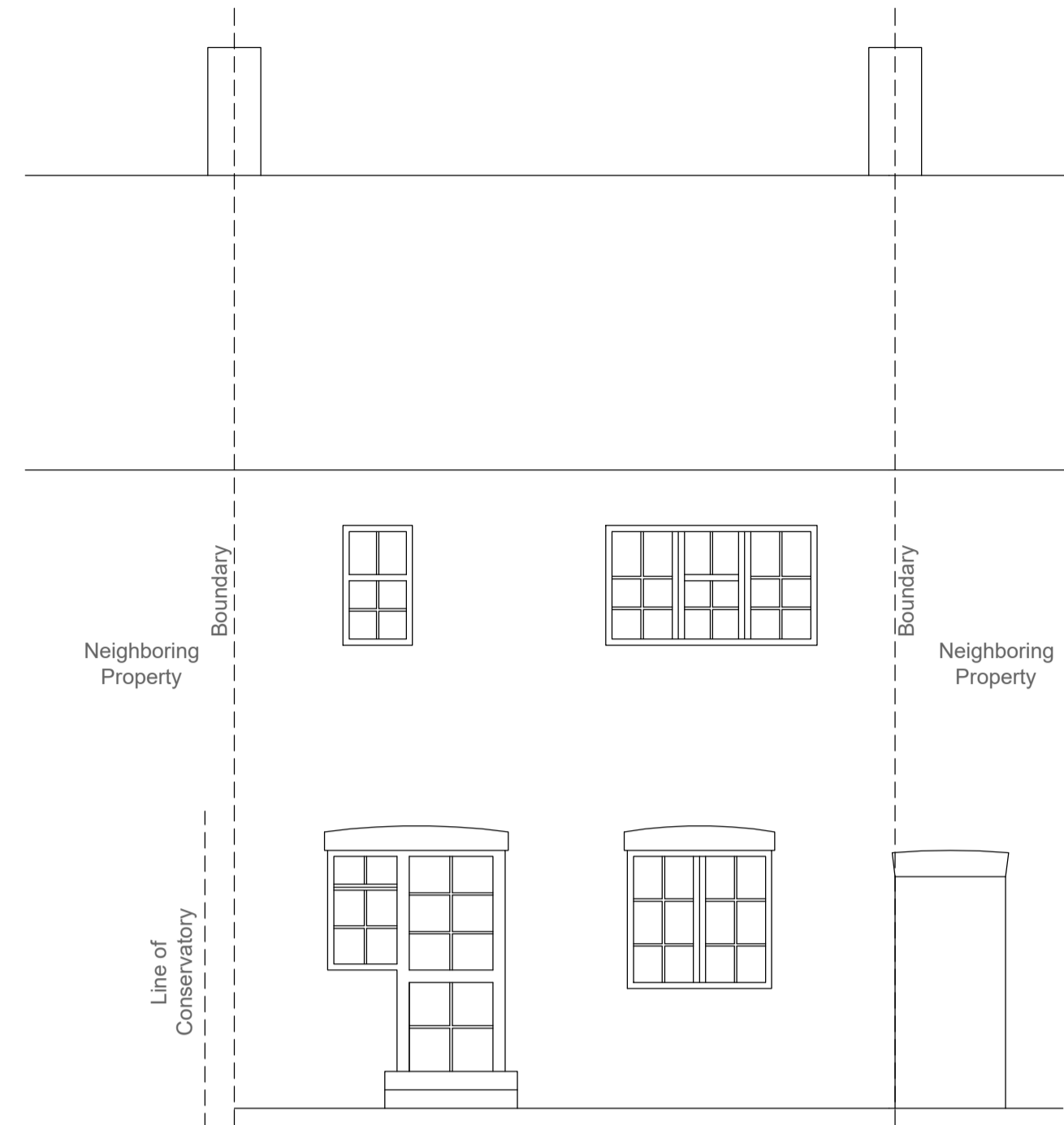


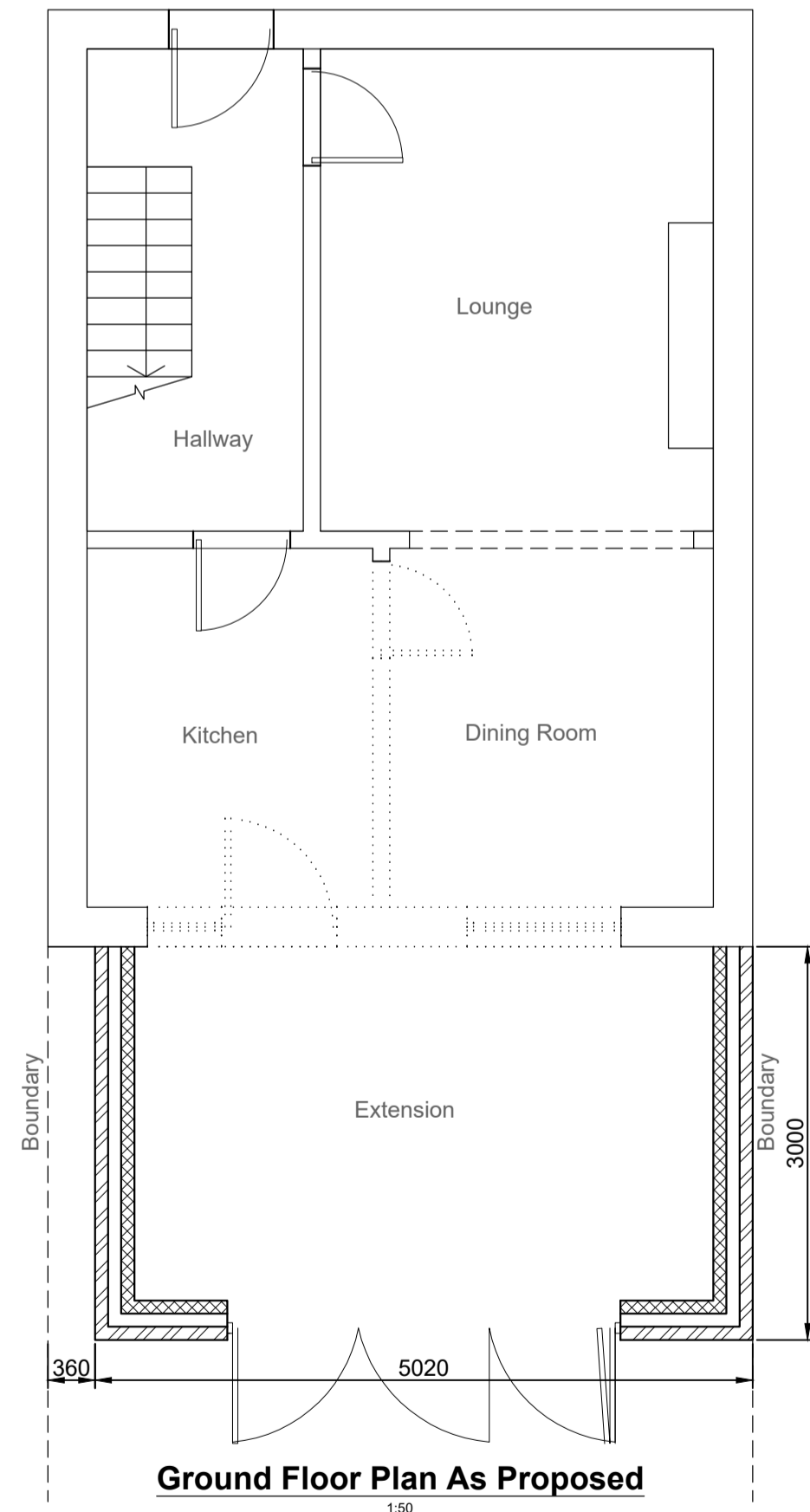
Ground Floor Plan As Existing
1:50



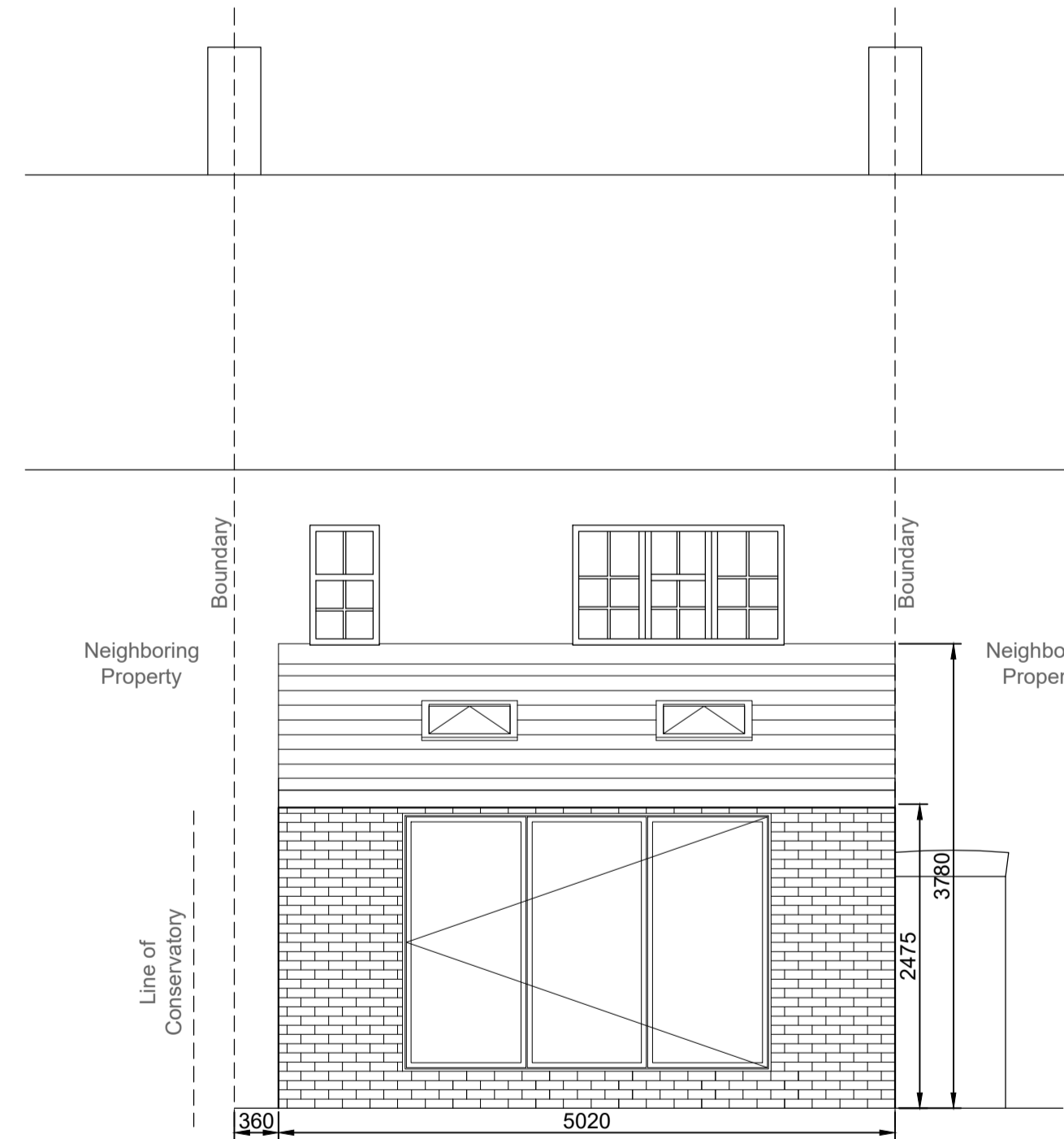
First Floor Plan As Existing
1:50



Rear Elevation as Existing
1:50



Ground Floor Plan As Proposed
1:50



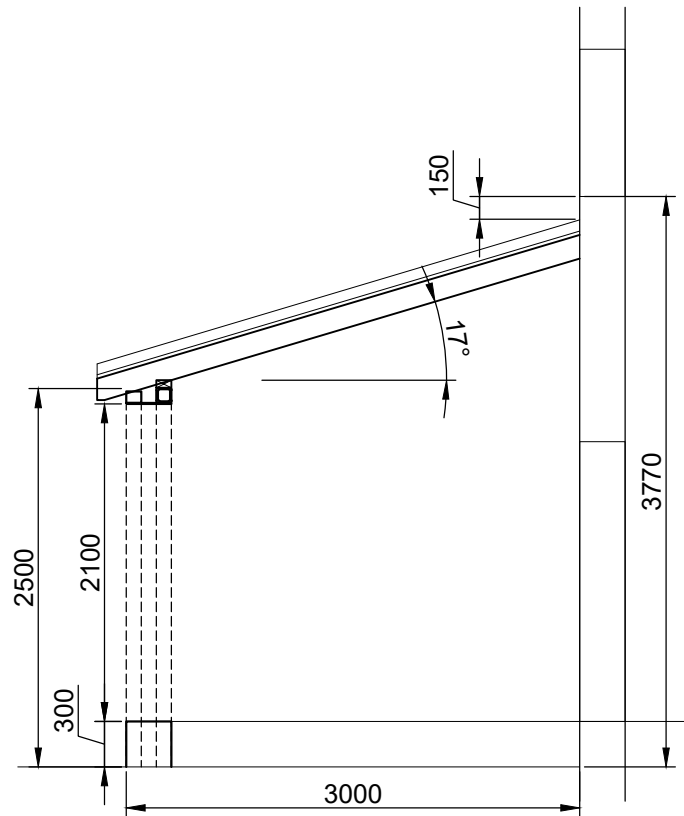
Rear Elevation as Proposed
1:50

Notes:

1. DO NOT SCALE FROM THIS DRAWING.
2. All dimensions are in millimetres Unless Noted Otherwise (u.n.o.)
3. All levels and dimensions are to be checked on site before any work commences.
4. The Health and Safety at Work act is to be complied with at all times. Attention is drawn to the wearing of hard hats, safety boots, reflective clothing, and the use of any other required safety equipment.

P2 - Dimensions added 09/08/21
 Revision: P1 - Issue for comment 18/06/21
 Project:
 97 Hall Mead, Letchworth Garden City
 SG6 4BS
 Client:

Drawing Title:
 Existing & Proposed Plans
 & Rear Elevations
 Status:
 PRELIMINARY
 Project No/Drawing No/ Rev:
 106/001 P2
 Date: June 2021
 Scales @ A1:
 1:50
 Drawn:



Section Through Proposed Extension

1:50

Notes:

1. DO NOT SCALE FROM THIS DRAWING.
2. All dimensions are in millimetres Unless Noted Otherwise (u.n.o.)
3. All levels and dimensions are to be checked on site before any work commences.
4. The Health and Safety at Work act is to be complied with at all times. Attention is drawn to the wearing of hard hats, safety boots, reflective clothing, and the use of any other required safety equipment.

Revision: P1 - Issue for comment 18/06/21

Project:
97 Hall Mead, Letchworth Garden City
SG6 4BS

Client:

Drawing Title:
Section Through Proposed Extension

Status:
PRELIMINARY

Project No/Drawing No/ Rev:
106/SK100 P1

Date: June 2021 Drawn:

Scales @ A1:
1:50

