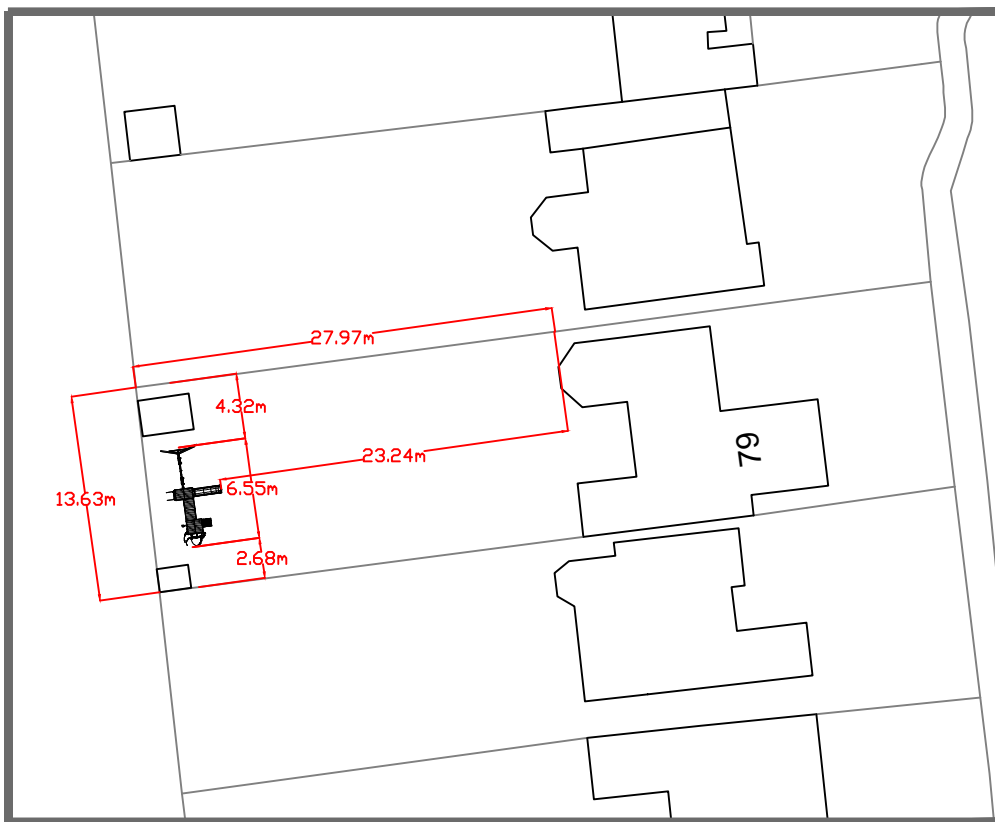
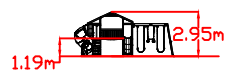
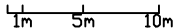


Scale 1:500



F29315E

BOULDER BLUFF 2-IN-1 PLAYSET

BILT® Easy step-by-step 3D interactive instructions for this product can be found in BILT®. Download today.

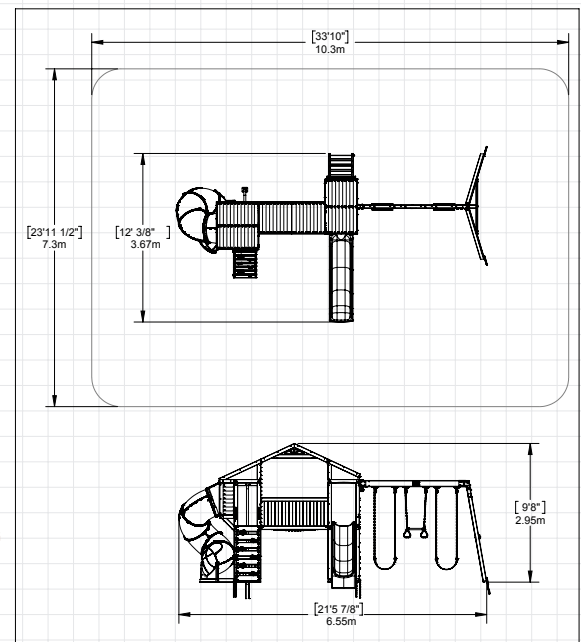


MAXIMUM VERTICAL FALL HEIGHT - 9'10" (3m).

CAPACITY - 10 Users Maximum, Ages 3 to 10; Weight Limit 110 lbs. (50 kg) per child.

RESIDENTIAL HOME USE ONLY. Not intended for public areas such as multi-unit residences, schools, churches, nurseries, day cares or parks.

Option 1 - Attached Swing Beam Configuration



OBSTACLE FREE SAFETY ZONE - 33'-10" x 23'-11 1/2" x 16'-4 7/8" (10.3 m x 7.3 m x 5 m) area requires Protective Surfacing. See page 5.

INSTALLATION AND OPERATING INSTRUCTIONS

FOR 24/7 ONLINE PARTS REPLACEMENT

9409315E

Rev 09/13/2021



⚠ WARNING

To reduce the risk of serious injury or death, please read and follow these instructions. Keep and refer to instructions as needed and pass along to any future owners of this item.